

## RK9U 64PW

### Rack



The Rack 19" 600x450 9U PRO WALL cabinet is designed for smaller environments where space is needed, providing fast mounting and easy access for equipment installation and maintenance.

The ventilated roof is prepared for the installation of fans, gland slot and wall mounting bracket.

### Technical Chars

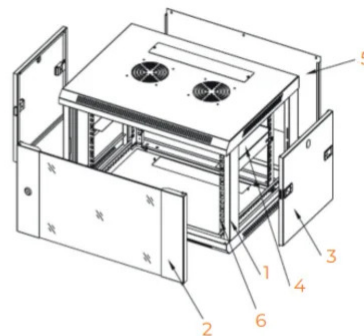
- Steel structure
- Fixed uprights
- Tempered glass front door
- Removable side panels
- Pre-arrangement on roof for installation of ventilation system
- Provision for cable access from below and above

initial_fields		
Code		287684
Specifications		
Unit		9U
Net Weight	Kg	14.7
Load capacity	kg	60
Base and roof structure		
Material		Sheet steel
Predisposition		Pre-cut base for cable entry and roof for cooling fan installation
Side panels		
Typology		Removable via quick release
Quantity		2
Front door		
Typology		Reversible tempered glass with locking key
Opening angle	°	180
Internal uprights		
Typology		Fixed

Varnishing- rack		
Typology		Epoxy-polyester
RAL		9005
Colour		Black
Packaging		
Pieces		1
EAN code		8016978107223
Packaging dimensions	mm	620 x 460 x 500
Packaging weight	Kg	16

## Rack cabinet details

1. Frame
2. Front door
3. Side panel
4. L-shaped bracket
5. Rear panel
6. Internal uprights



1. Telaio
2. Porta frontale
3. Pannello laterale
4. Staffa ad L
5. Pannello posteriore